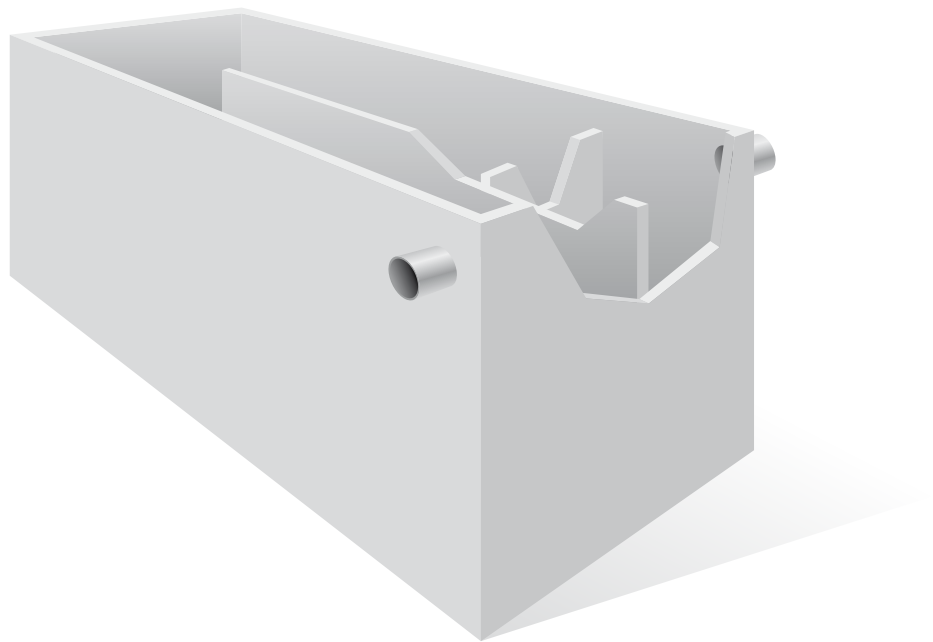


## Series SCL/P

### Monobloc chlorination tanks.

#### Technical specifications

Supply of a monobloc prefabricated chlorination tank type EMS WATER TECHNOLOGY series SCL/P, made of reinforced concrete, with rectangular shape and flat bottom, complete with sects to force the sludge in a forced serpentine pattern, dimensioned to guarantee a suitable contact time between the sewage and the chemical reagent which will not have to be less than 20 minutes for the peak flow, to obtain an ideal mixture and disinfection .



| DESCRIPTION       | MEASURE UNIT  | MODEL     |           |            |            |            |            |            |            |            |
|-------------------|---------------|-----------|-----------|------------|------------|------------|------------|------------|------------|------------|
|                   |               | SCL/P 500 | SCL/P 750 | SCL/P 1000 | SCL/P 1600 | SCL/P 1900 | SCL/P 2200 | SCL/P 2500 | SCL/P 3200 | SCL/P 5000 |
| Equivalent people | n.            | 500       | 750       | 1000       | 1600       | 1900       | 2200       | 2500       | 3200       | 5000       |
| Unit flow rate    | l/ab.g        | 200       | 200       | 200        | 200        | 200        | 200        | 200        | 200        | 200        |
| Max flow rate     | mc/h          | 12,75     | 19,50     | 25,50      | 31,5       | 38,25      | 38,25      | 51         | 63,75      | 82,5       |
| Contact time      | min.          | 20        | 20        | 20         | 20         | 20         | 20         | 20         | 20         | 20         |
| Useful volume     | mc            | 4,25      | 6,38      | 8,5        | 10,63      | 12,75      | 14,88      | 17         | 21,25      | 27,63      |
| DIMENSIONS        | length        | cm        | 250       | 250        | 250        | 320        | 320        | 420        | 520        | 670        |
|                   | width         | cm        | 120       | 170        | 220        | 250        | 250        | 250        | 250        | 250        |
|                   | total height  | cm        | 210       | 210        | 210        | 210        | 210        | 210        | 210        | 210        |
|                   | useful height | cm        | 170       | 170        | 170        | 170        | 170        | 170        | 170        | 170        |
| Internal walls    | n.            | 1         | 1         | 1          | 3          | 3          | 3          | 3          | 3          | 3          |
| Component weight  | q.li          | 45        | 50        | 63         | 70         | 85         | 85         | 110        | 120        | 160        |

The values stated are just for information. EMS WATER TECHNOLOGY retains the right to change them at any time.