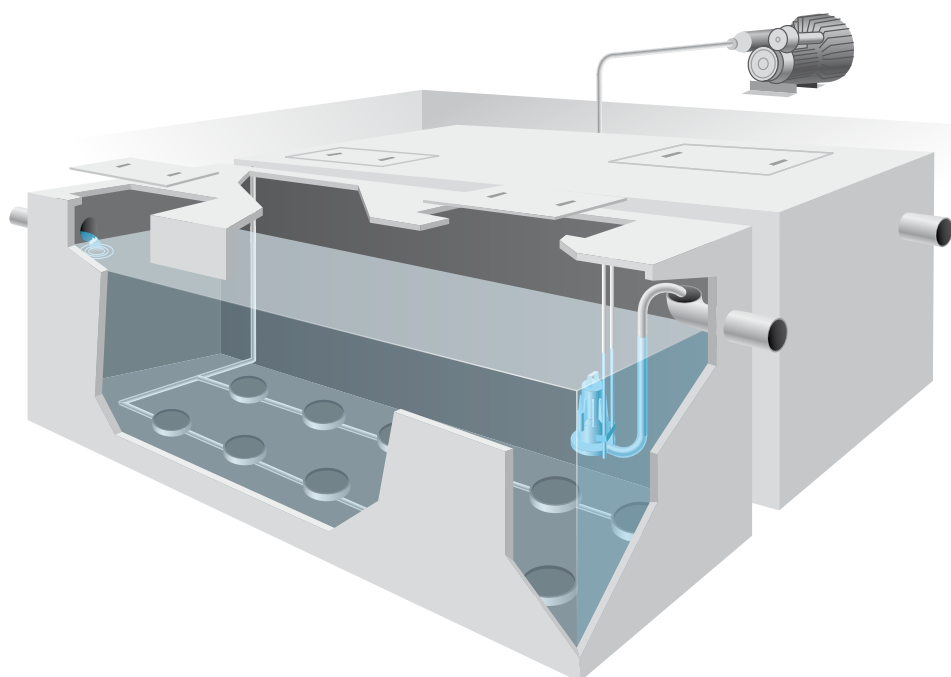


Series OXI/SBR

Monobloc parallelepiped total oxidation plants for 250 to 800 equivalent people with SBR reactor.

Technical specifications

Supply of a reinforced concrete prefabricated total oxidation plant type EMS WATER TECHNOLOGY series OXI/SBR, composed of a concrete monobloc parallelepiped horizontal axis tank working according to the "S.B.R." technology, complete with outlets for the incoming and outgoing sewage, concrete inspection manholes, lateral channels electrical blower, self-cleaning membrane air diffusers, submersible electrical pump for treated water discharge, level adjusters , electrical control and protection panel equipped with programming clock and all the electromechanical parts needed for a correct functioning.



OXI/SBR oxidation series for discharge in surface water - leg decree n. 152 dated 03/04/06

DESCRIPTION	MEASURE UNIT	MODEL							
		OXI/SBR 250	OXI/SBR 300	OXI/SBR 400	OXI/SBR 500	OXI/SBR 600	OXI/SBR 700	OXI/SBR 800	
Equivalent people	n.	250	300	400	500	600	700	800	
Daily flow	mc/g	37,50	45	60	75	90	105	120	
Organic load (BOD)	Kg/g	15	18	24	30	36	42	48	
Oxidation/sedimentation volume	mc	44,50	55,00	73,00	92,00	115,00	134,00	154,00	
Air demand	mc/h	115	115	190	230	230	380	380	
Water head	mm	2000	2000	2000	2000	2000	2000	2000	
Installed power	kW	2,2	2,2	3,00	2 x 2,2	2 x 2,2	2 x 3,00	2 x 3,00	
Air diffusers	n.	24	24	32	36	36	48	48	
Oxidation/sedimentation modules	n.	2	2	2	4	4	4	4	
DIMENSIONS	length	cm	500	600	800	500	600	700	800
	width	cm	250	250	250	250	250	250	250
	height	cm	250	250	250	250	250	250	250
Total weight	q.li	360	460	560	720	920	1040	1120	

The values stated are just for information. EMS WATER TECHNOLOGY retains the right to change them at any time.

The plants may be supplied with different hydraulic flow rates and organic loads than those indicated in the table, which are 150 l/ab. day. and di 60 g BOD5/ab.day